

## 4G / LTE MiMo Antenna + optional WiFi and GPS

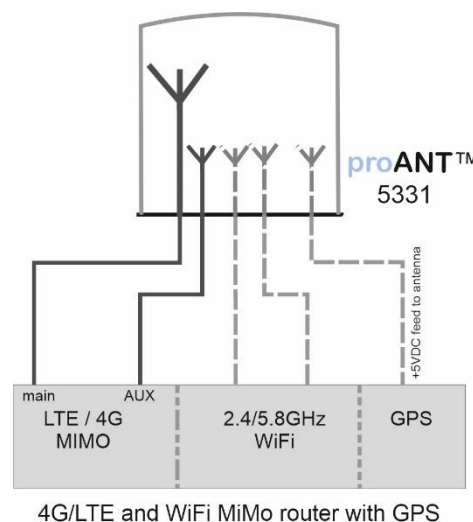
### HIGHLIGHTS

- Factory configurable high performance MIMO antenna module
- Up to 2x MiMo for LTE, 4G, 3G Diversity (main, aux)
- Up to 2x MiMo for 2.4GHz/5.8GHz WiFi
- Active GNSS antenna



### DESCRIPTION

proANT5331 is high performance MiMo antenna that can include up to 5 antennas. It is an excellent option especially when space is limited. The primary LTE antenna is based on Promarine’s leading antenna design, proTAC5311, and is 5G compatible. It is possible to add up to 2 dual band WiFi antennas and GNSS antenna in addition to 2 x LTE antennas.

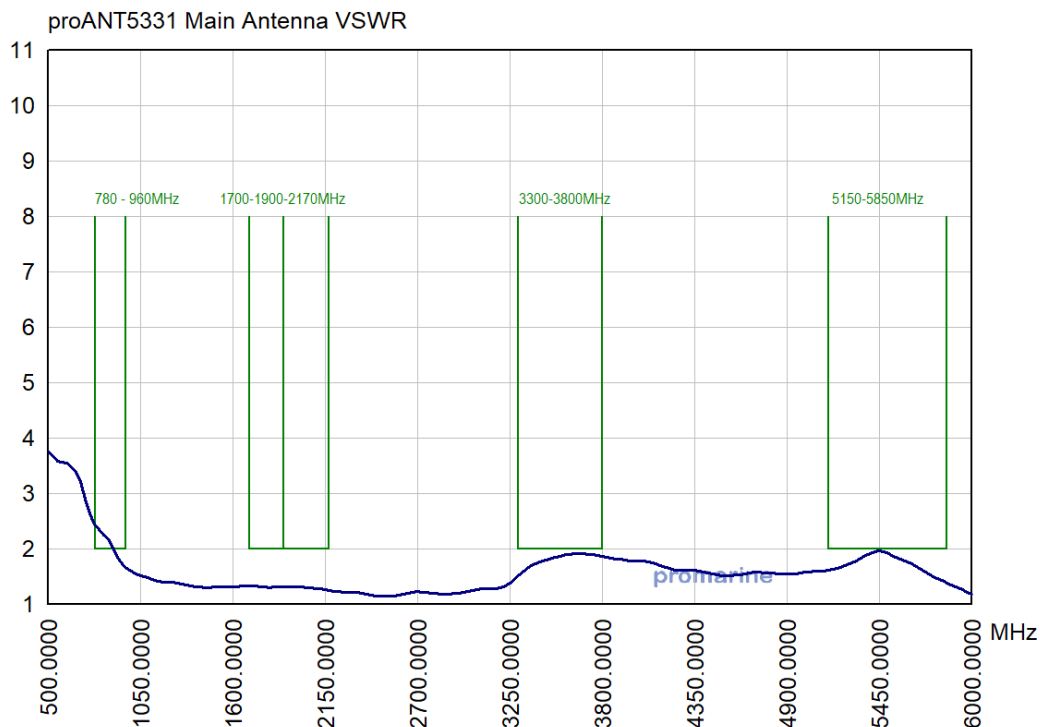


### TECHNICAL SPECIFICATIONS

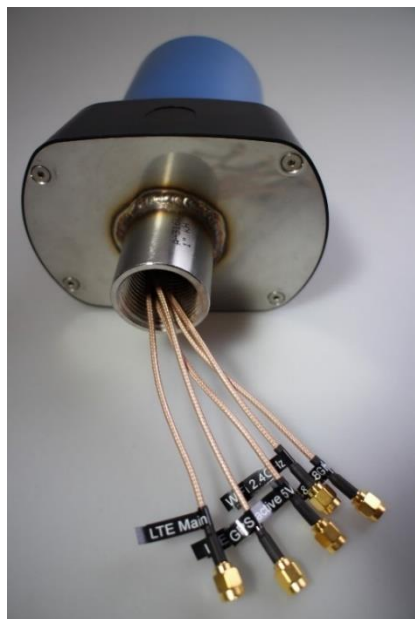
<b>Model:</b>	proANT 5331* <i>(check order code for each variant from separate list)</i>		
<b>Type:</b>	MIMO antenna	<b>Environmental:</b>	Indoors, outdoors Case IP56 shock proof
<b>Factory options antennas</b>		<b>Frequency</b>	<b>Polarization</b>
LTE Main antenna		790-6000MHz	Vertical polarization
LTE AUX antenna		824-2170MHz	Horizontal polarization
WiFi Main antenna		2400/5800MHz	Cross-polarized
WiFi AUX antenna		2400/5800MHz	WiFi antennas
GNSS antenna(+5VDC)		1558-1610MHz	Circular polarization
<b>Material:</b>	<b>Mounting:</b>		
Plastic cover (ASA) Stainless steel mounting plate	BSP1"-11TPI internal thread antenna mount		
<b>Primary antenna:</b>	<b>Size (h*I*w):</b>		
Vertical polarization, omnidirectional Antenna gain 0-5dBi	155x140x105mm without mounting thread Height with BSP1"-11TPI mounting thread +42mm		



## RADIATION PERFORMANCE



## MOUNTING OPTIONS



EXAMPLE IN PICTURE ANT5331A

*BSP1"-11TPI (1 1/4"-11TPI) inner thread with 2 to 5 RG316 cables and SMA-female connectors (other connector types by request)*



EXAMPLE IN PICTURE ANT5331B1

*BSP1"-11TPI (1 1/4"-11TPI) inner thread with N-female connectors*