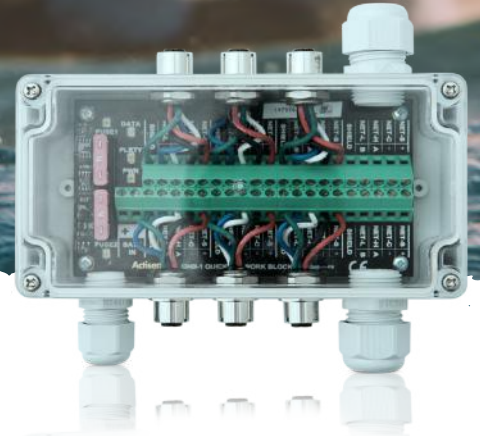


QNB-1 QUICK NETWORK BLOCK



Fault-free NMEA 2000® backbone connections.

The Actisense® Quick Network Block (QNB-1) allows backbone networking connections to be made easy and fault-free on National Marine Electronics Association (NMEA) buses and networks.

The QNB-1 is a multi-drop NMEA 2000® network backbone connection block, adhering to the barrier strip connection type detailed in the NMEA 2000® specification documents.

To protect the power hookup, a fused connection is provided to the network backbone.

This allows the current to be limited to the safe level for the network. Two fuses are provided, each powering two halves of the QNB-1, meaning that if the fuse blows to one half of the system, the other half

can remain powered.

In the simplest configuration, the QNB-1 can also be used as a simple fused IP66 sealed power connection block.

LED indicators show power status, detect power reversal, and show whether the fuses are still intact.

In addition, an indicator is provided to show the presence of data on the connected bus or network.

No software or setup is required. The installation manual provided with the QNB-1 provides example connection diagrams to aid the user with setting up their network.

The QNB-1-PMW version is fitted with six standard NMEA 2000® M12 (micro-fit) female connectors which allow 'plug and play' connections for quick and easy installation.

Benefits

One unit provides six NMEA 2000® drop connections

Power feed is fuse protected

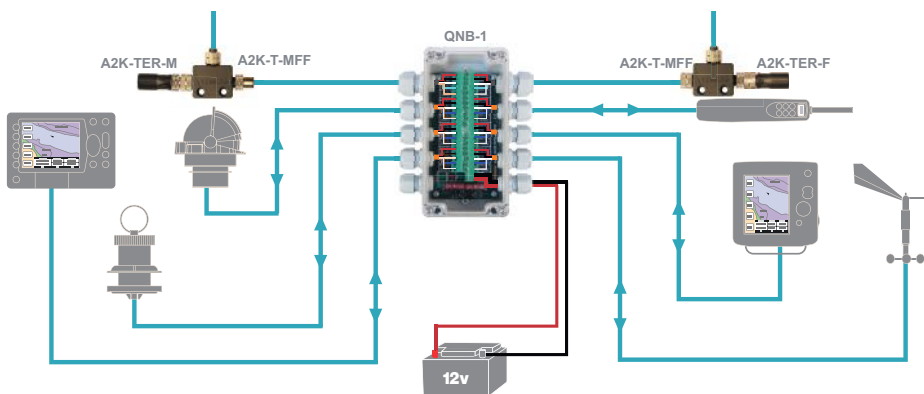
Simple installation on Mini and Micro networks

Features:

NMEA 2000® barrier strip connections

Backbone connections for both Mini and Micro cable

Four power LEDs & one data LED



Le spécialiste des équipements électroniques

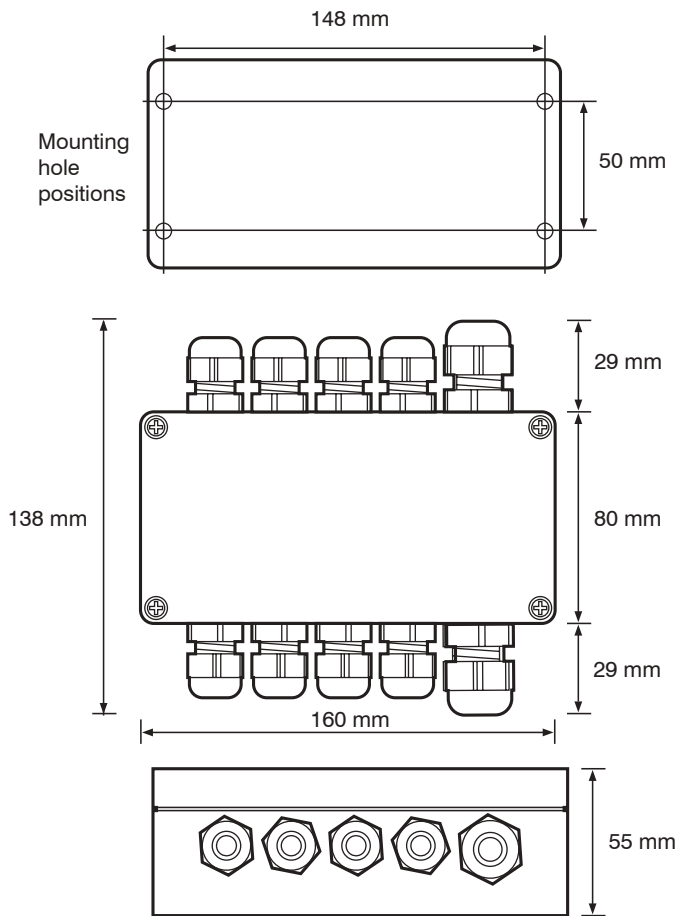
Zac de la plaine - 1, rue Brindejonc des Moulinais
31500 TOULOUSE
Tél : +33 (0)5 67 77 94 44
info@pst-france.fr - www.pst-france.fr

QNB-1 Specifications



Electrical	
Supply voltage	10-35V DC
Supply current, Supply voltage 12/24v (no load)	10mA
	10mA
Micro cable fused protection	8A
Mini cable fused protection	16A
Input/Outputs	
Baud rate	4800 - 250000 baud
Mechanical	
M16 gland clamping range	4.5 - 10 mm
M20 gland clamping range	6 - 12 mm
QNB-1-PMW drop connections	DeviceNet Standard, M12, Micro-C, female
Approvals & Certifications	
Ambient temperature	-20 - 70 °C
Guarantee	3 Years
NMEA 2000 Certified	

Product Dimensions



QNB-1 PMW.

